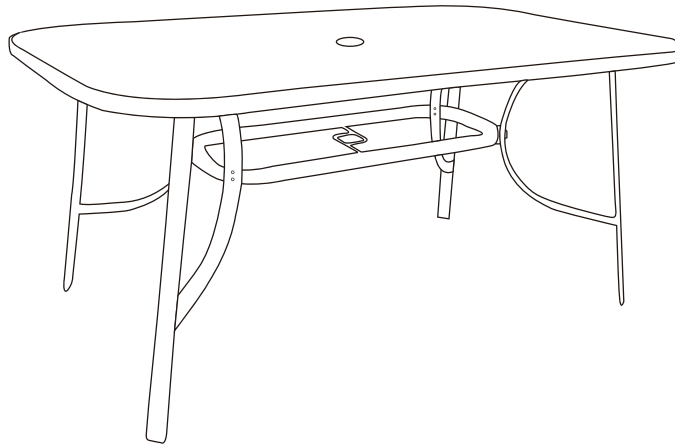


## ALU RECTANGULAR GLASS DINING TABLE ASSEMBLE INSTRUCTION



### Safety Information

#### PRODUCT CAUTION

This dining set was made for the explicit purpose of providing outdoor functions and is not to be used as a toy. This product is intended for normal outdoor use; however, the manufacturer recommends storing and / or covering this set when any formidable / severe weather is approaching. Do not locate the product near open flames. Do not use the product as a support. Do not shake, lean or climb on the product. Children under the age of 10, near the product, should be supervised by a competent adult at all times. This product is NOT intended for commercial use and will void the warranty.

#### SAFETY WARNINGS



**WARNING:** Do not place heavy objects on the table top.



**CAUTION:** When not in use, secure the product in a cool and covered location.



**WARNING:** This dining set is heavy, and may require two adults for safe assembly.



**WARNING:** Do not place heavy objects on the chairs.

### Warranty

**2 YEAR FRAME AND 2 YEAR FABRIC LIMITED WARRANTY**

### CUSTOMER SERVICE

Call Our After Sales Support Hotline **1-866-283-4412** Monday-Friday 7am-5pm CST  
Or Our Email Address [customerservice@t2products.com](mailto:customerservice@t2products.com)

# Table Assembly Information

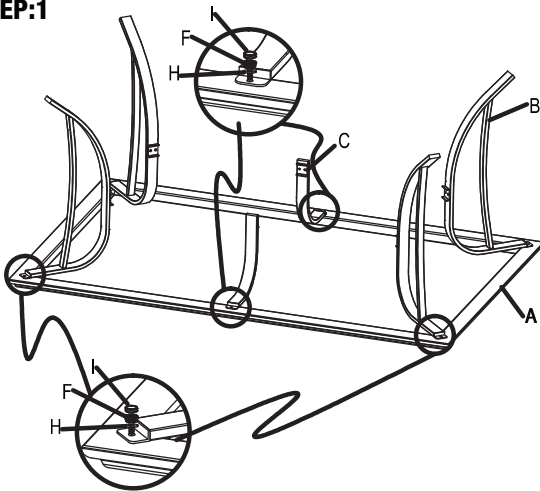
## HARDWARE INCLUDED



NOTE: Hardware not shown to actual size.

<b>A X 1</b>	<b>B X 4</b>	<b>C X 2</b>	<b>D X 1</b>	<b>E X 1</b>	<b>F X 6 (M6 X 15)</b>	<b>G X 12 (M6 X 25)</b>	<b>H X 18</b>	<b>I X 18</b>	<b>J X 1</b>

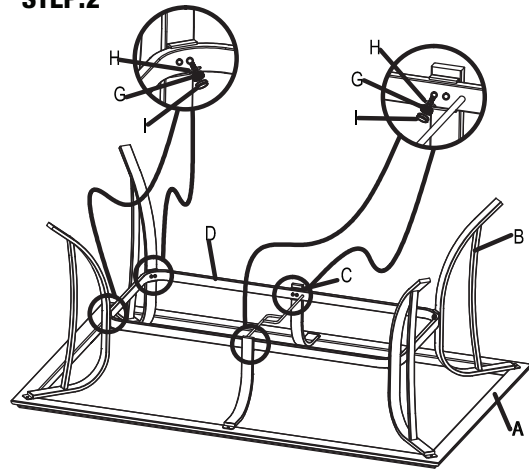
### STEP:1



NOTE: Loosely tighten all the bolts using the hex wrench (J).

Place the table top (A) upside down on a soft surface. Attach the table legs (B) and the support bar (C) to the table top (A) using M6x15 bolts (F) and M6 washers (H). Cover nut (F) with nut cap (I).

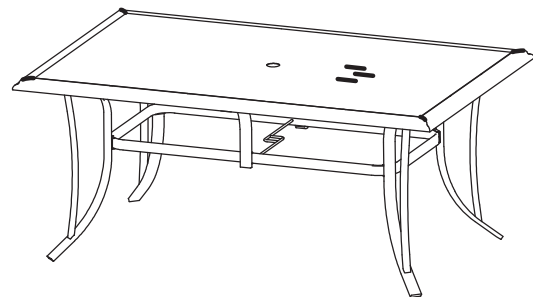
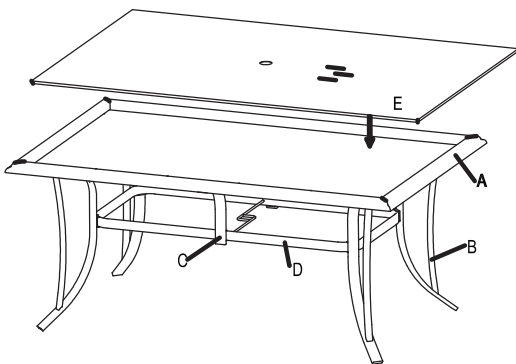
### STEP:2



NOTE: Loosely tighten all the bolts using the hex wrench (J).

Attach the leg connector (D) to the table legs (B) and the support tubes (C) using M6x25 bolts (G) and M6 washers (H).

### STEP:3



Once all of the bolts are in place, fully tighten the bolts. Turn the table right side up. Carefully place the glass (E) on the edge of the table (A). Ensure all connections are secure before use.